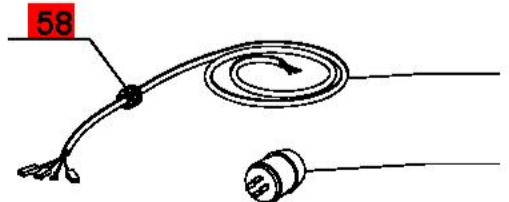
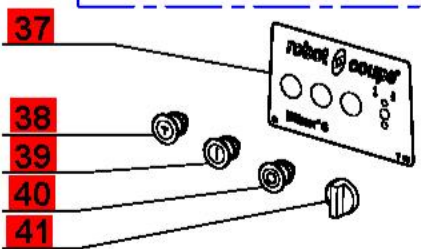
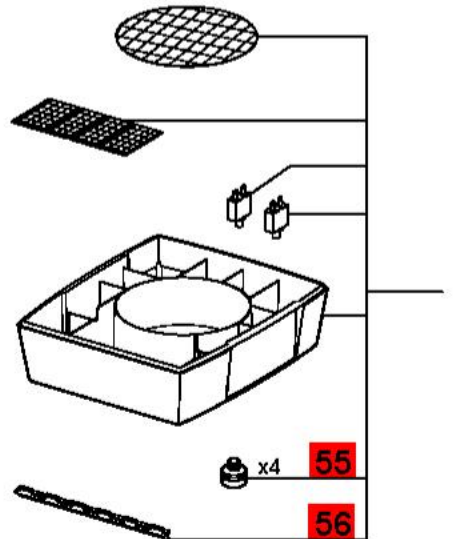
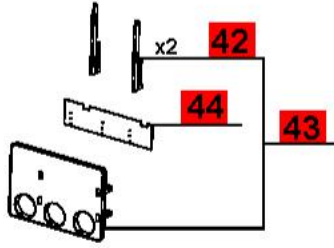
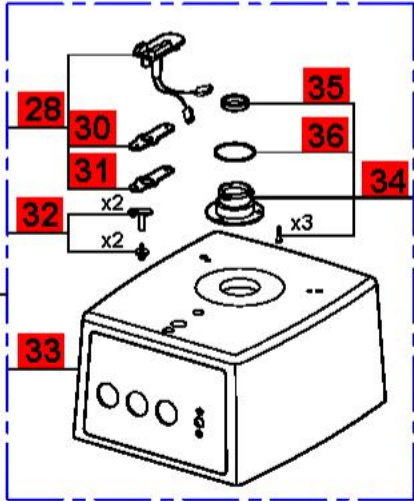
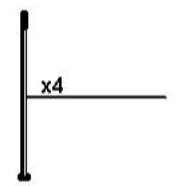
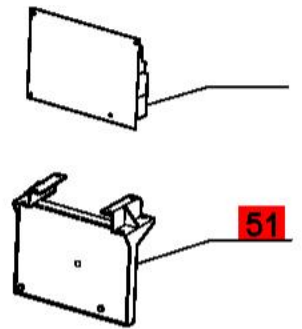
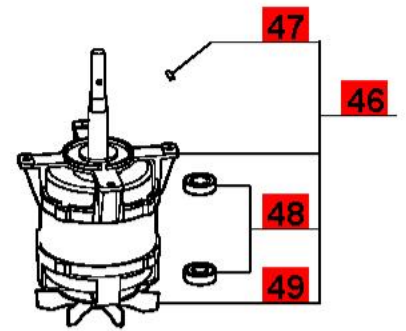
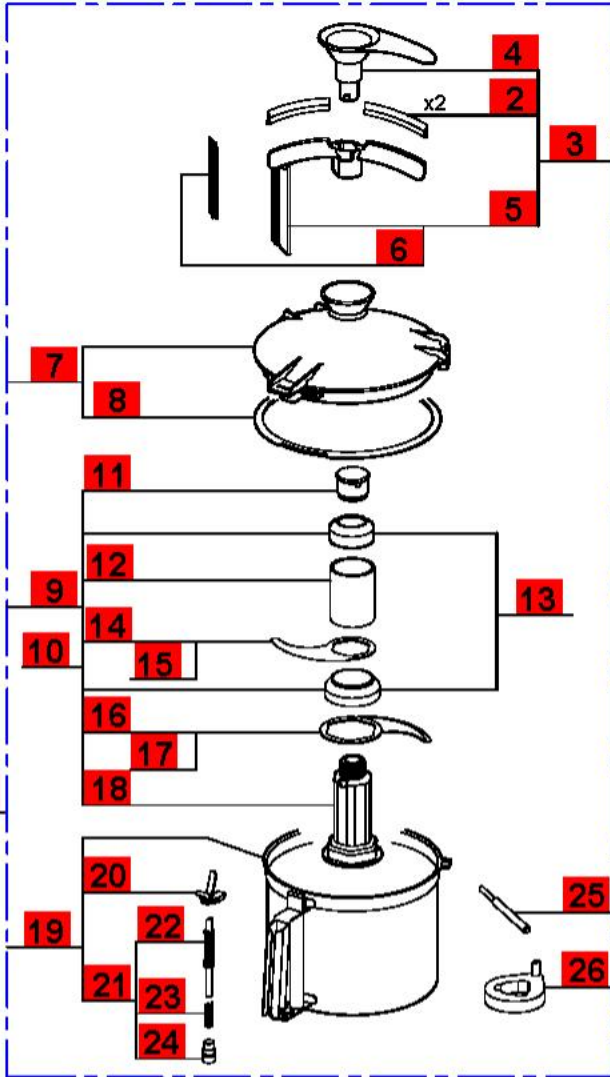


Click on Red Dot
OR
Call us
800-465-6060



Intertek Intertek
ETL LISTED 54881
Conforms to
UL NSF/ANSI
Std 763 Std 8
Certified to
CAN/CSA
Std C22.2 No. 195