

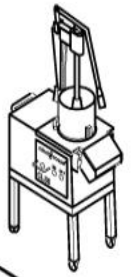
CL60 Pusher

Serial Numbers 06/xxxx & OG/xxxx

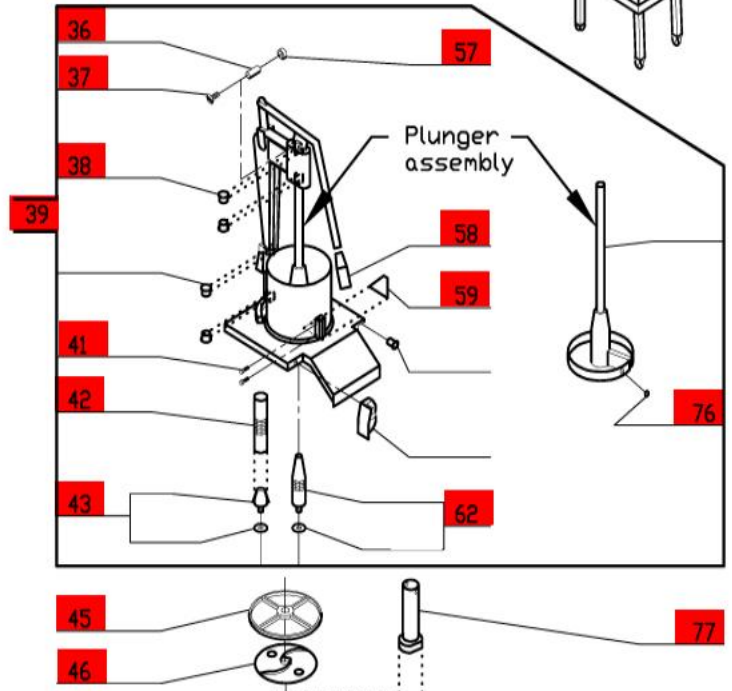
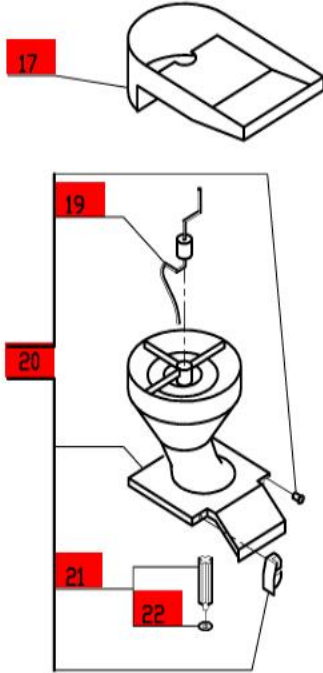
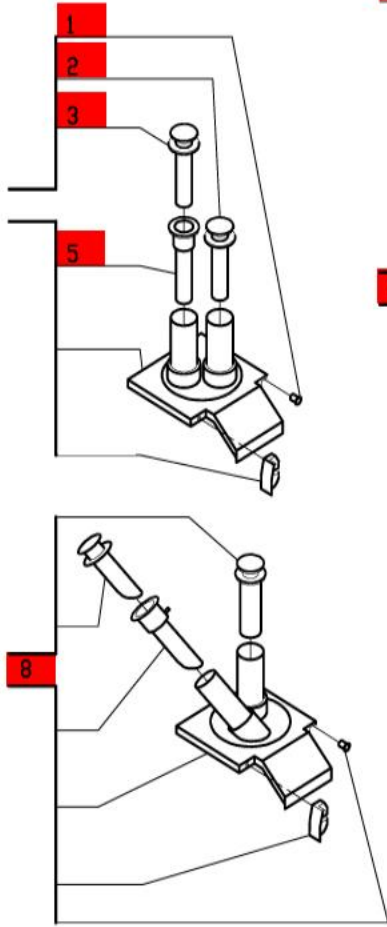
CL60 with Whole Head Feed Pusher Attachment (CL650) as standard.

2- Speed, 220 Volt, 3 Phase, 60Hz., 2 HP.

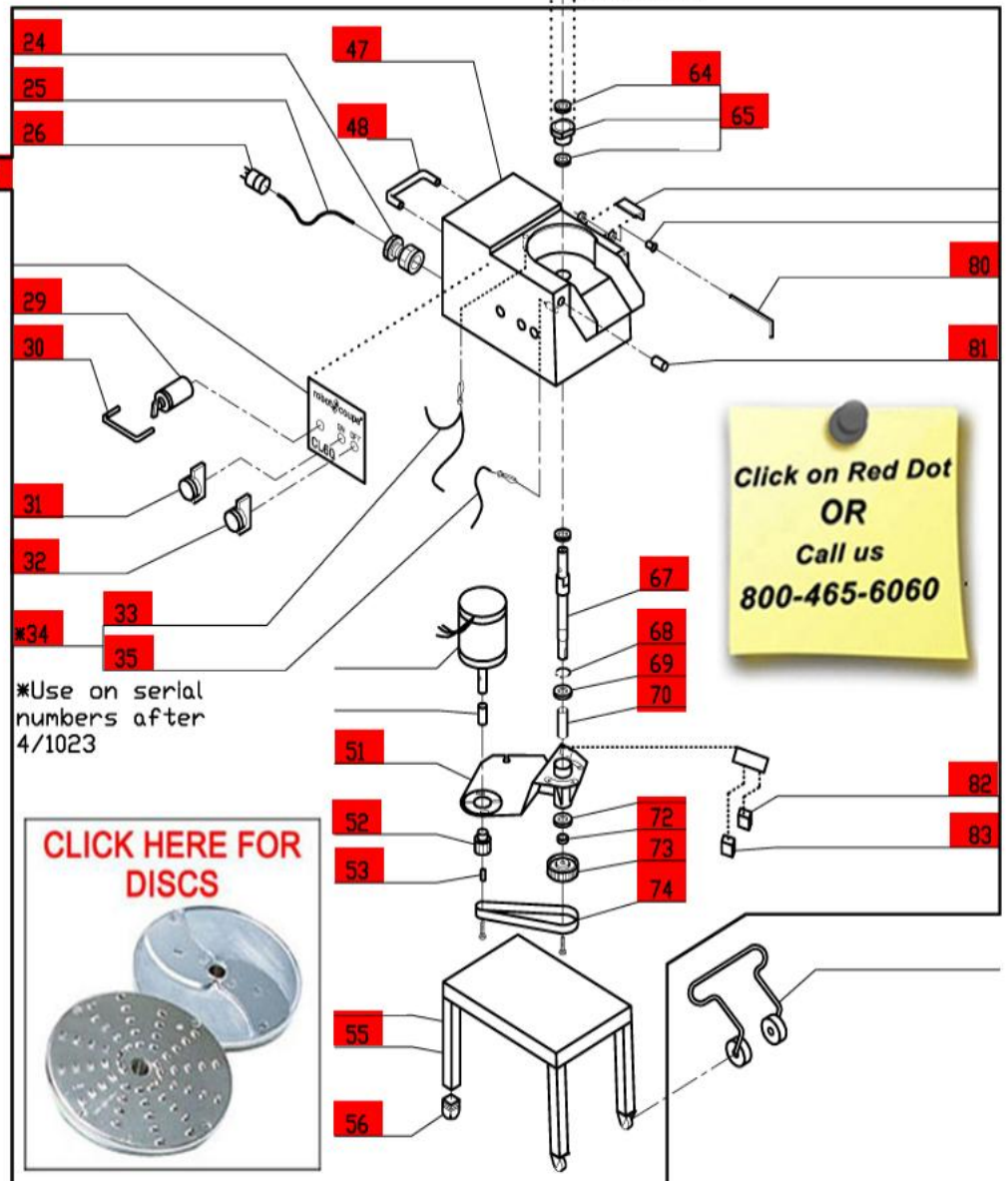
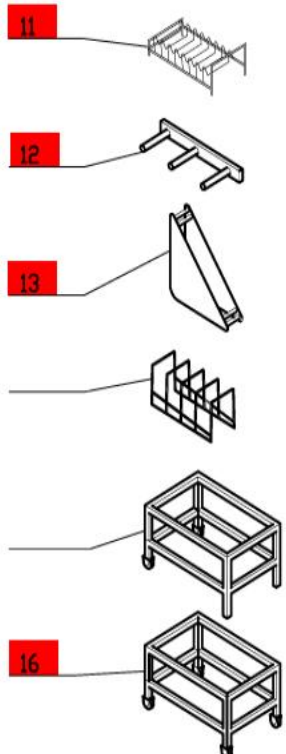
425-850 RPM, 3.5/4.2 Amps. Use C Designated Plates.



ACCESSORIES



ACCESSORIES



Click on Red Dot
OR
Call us
800-465-6060

*Use on serial numbers after 4/1023

CLICK HERE FOR DISCS

