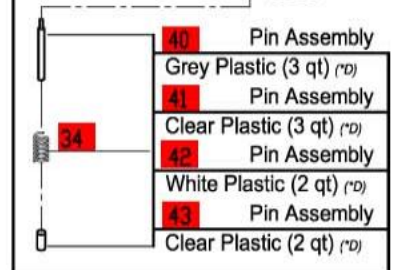
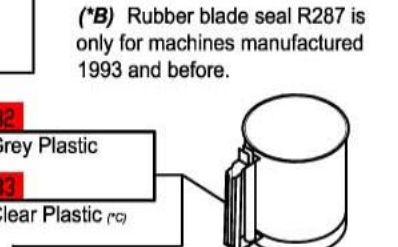
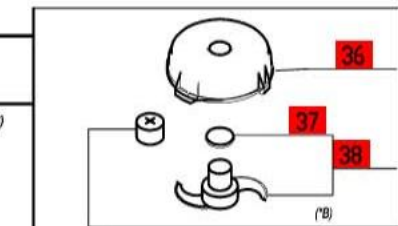
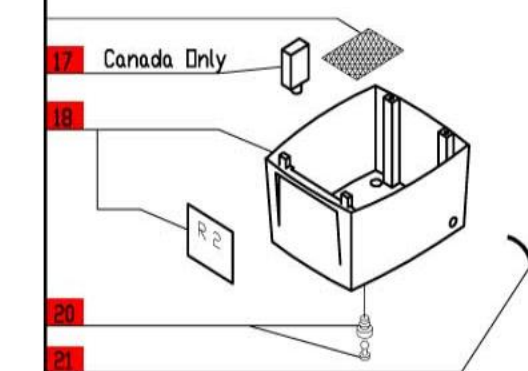
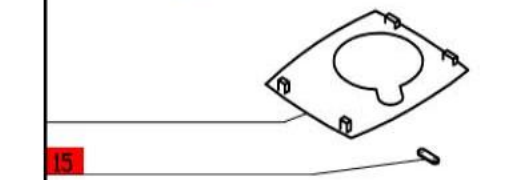
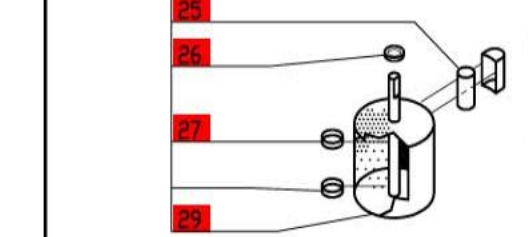
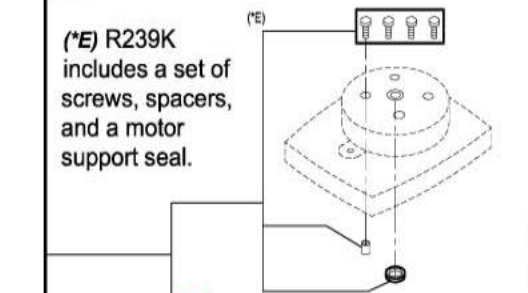
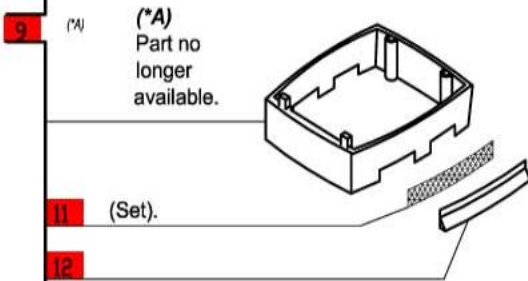
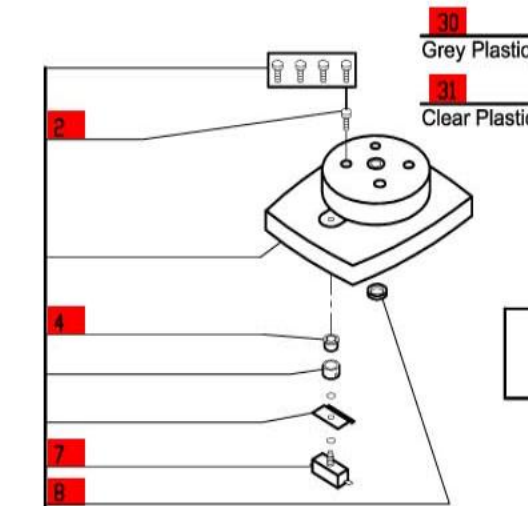
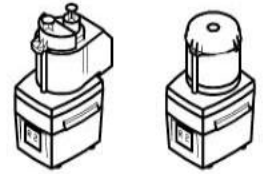


# R2 (old style)

Old Style Machines-Machines with no push buttons  
 1-Speed, 120 Volt, 1 Phase, 60Hz., 1/2 HP.  
 1725 RPM, 7 Amps



Click on Red Dot  
 OR  
 Call us  
 800-465-6060



(C) If ordering the R2N with the clear bowl, order model number R2NCLR.

(C) If ordering the R2B (bowl only) with the clear bowl, order model number R2BCLR

(G) 27242 USA Serial Numbers Beginning 230xxxx03 Canada Serial Numbers Beginning R2010500

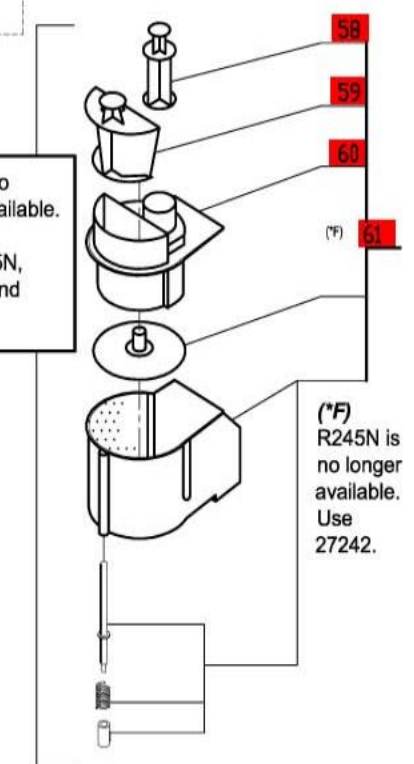
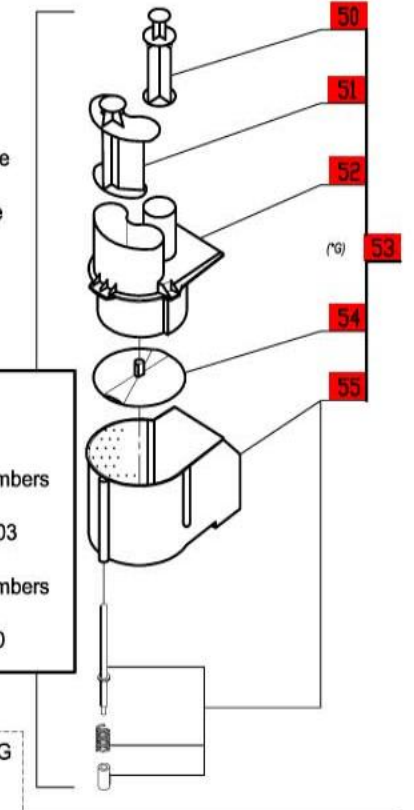
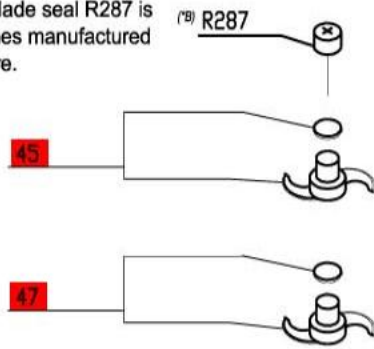
Before (MFG Code F6)

R205 is no longer available. Use R205N, R228N, and R229N.

(F) R245N is no longer available. Use 27242.

ACCESSORIES

(B) Rubber blade seal R287 is only for machines manufactured 1993 and before.



ACCESSORIES

