

R4X Series D

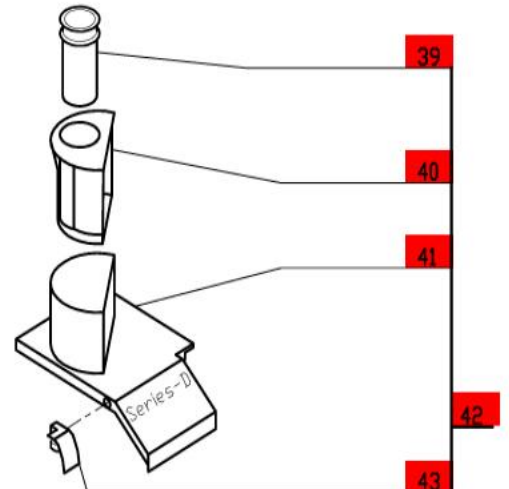
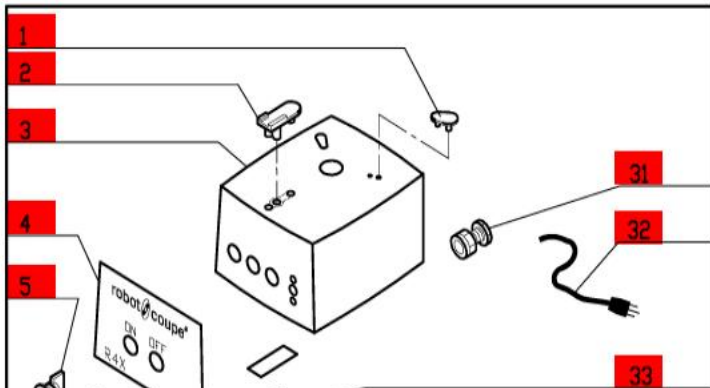
Series D, Serial Numbers 233xxxxx03 (USA)

and R4X000600A and Above (Canada)

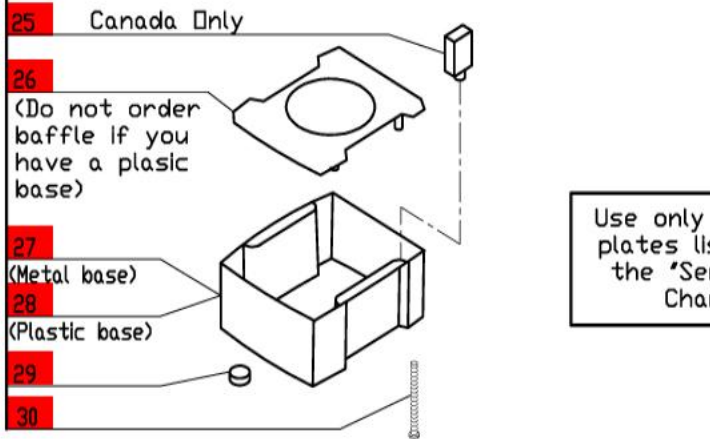
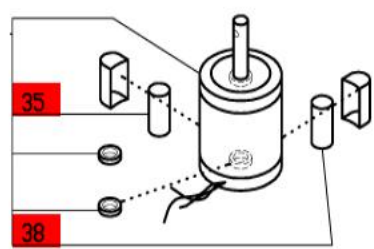
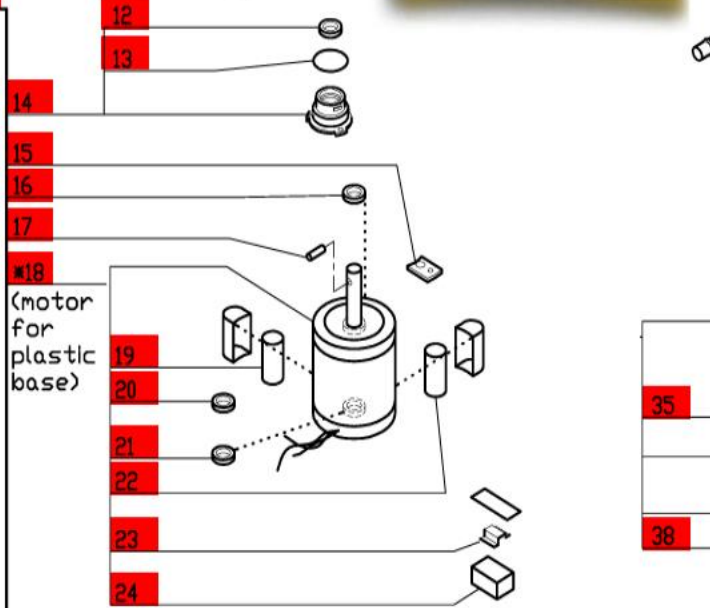
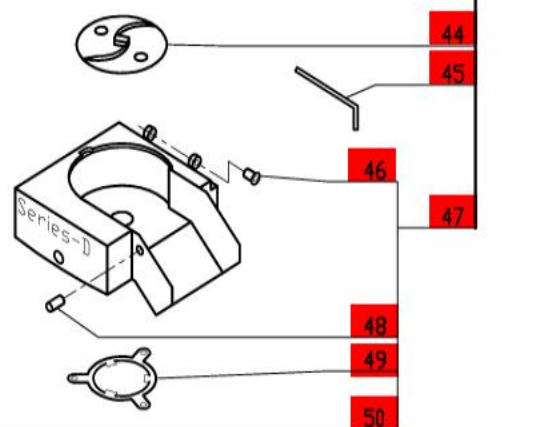
1- Speed, 120 Volt, 1 Phase, 60Hz., 1 HP.

850 RPM, 7.5 Amps

Use Series-D Plates.



**Click on Red Dot
OR
Call us
800-465-6060**



Use only cutting plates listed on the "Series D" Chart.

