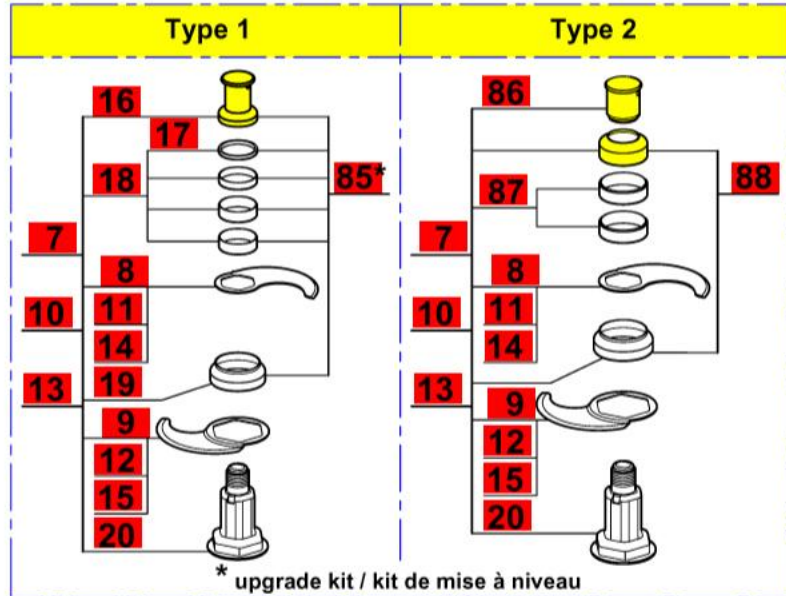
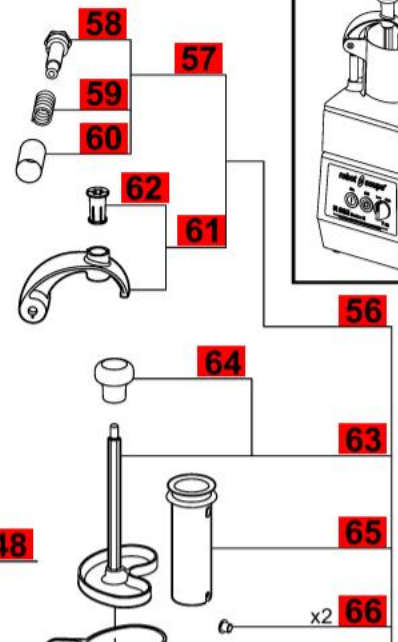
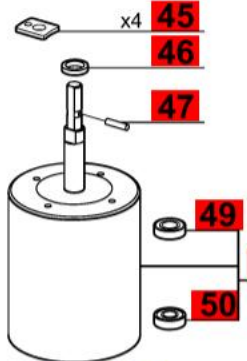
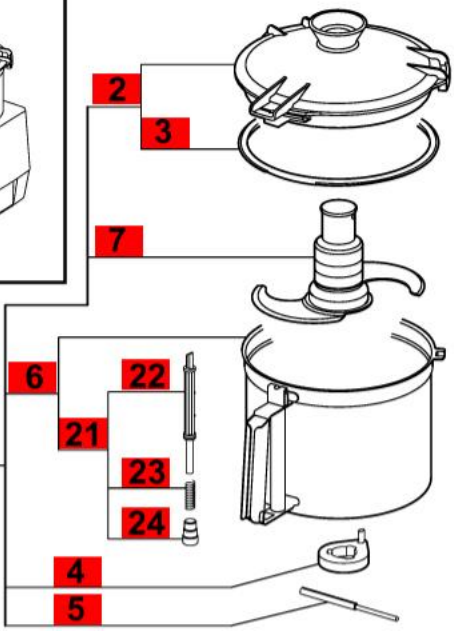
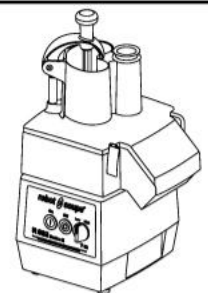
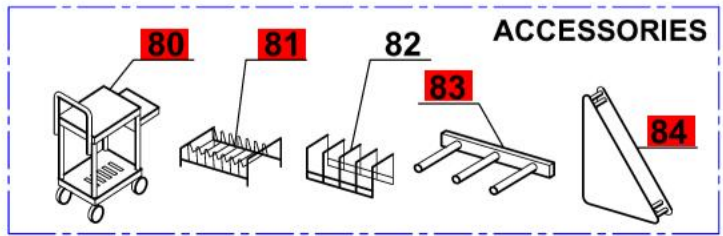
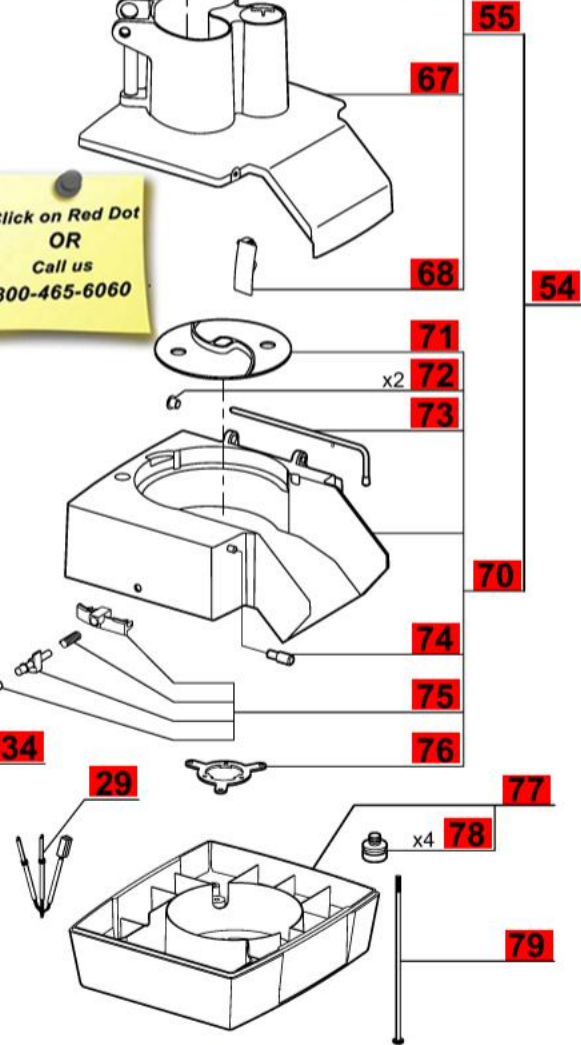
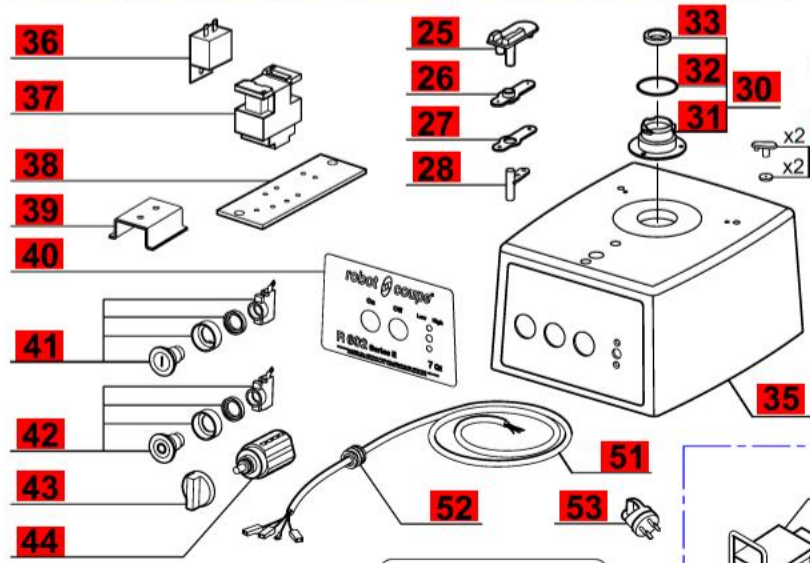




 ETL LISTED 54881
 Conforms to
 UL NSF/ANSI
 Std 763 Std 8
 Certified to
 CAN/CSA
 Std C22.2 No.195



Click on Red Dot
OR
Call us
800-465-6060



USE ONLY CUTTING PLATES LISTED ON THE "SERIES D" CHART