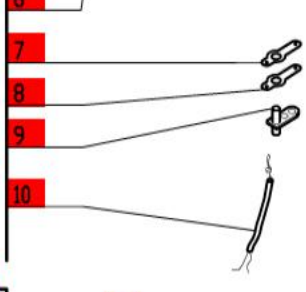
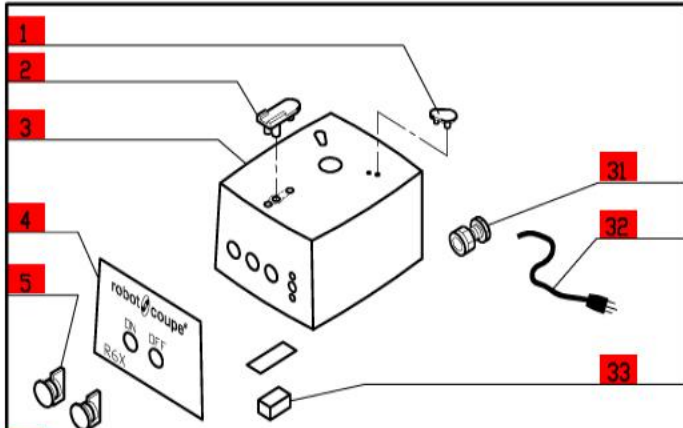
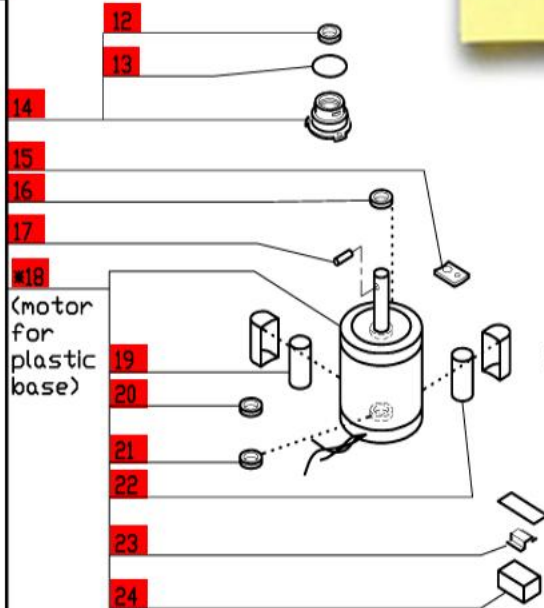


# R6X Series A

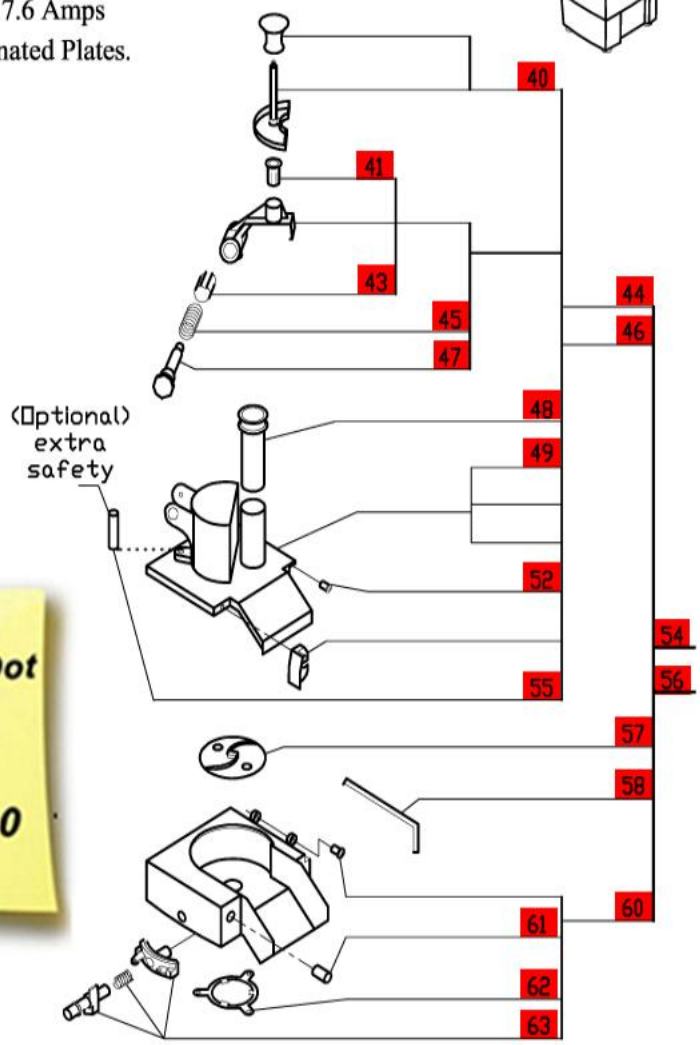
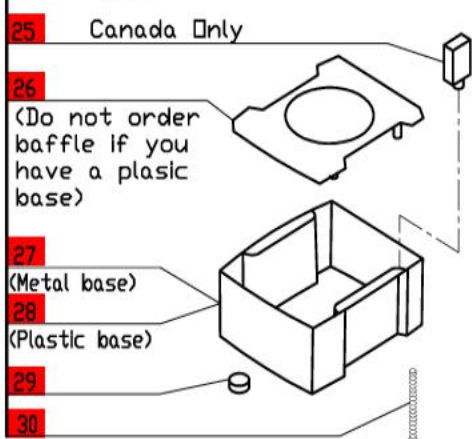
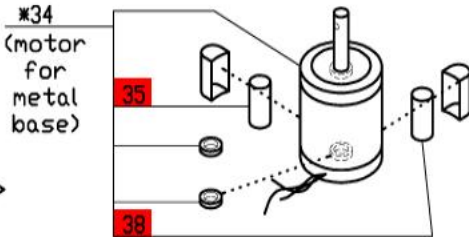
Series A, Serial Numbers R6XxxxxxxA  
 1- Speed, 120 Volt, 1 Phase, 60Hz., 1 HP.  
 850 RPM, 7.6 Amps  
 Use C Designated Plates.



**Click on Red Dot  
 OR  
 Call us  
 800-465-6060**



\* RA604E Motor is no longer available. Order number SI94565, R611, 117770, 29620, and four BX658 screws.



(Optional) extra safety

**ACCESSORIES**

NOTE: Use "C" designated plates.

64  
65  
66  
67  
68

**CLICK HERE FOR DISCS**